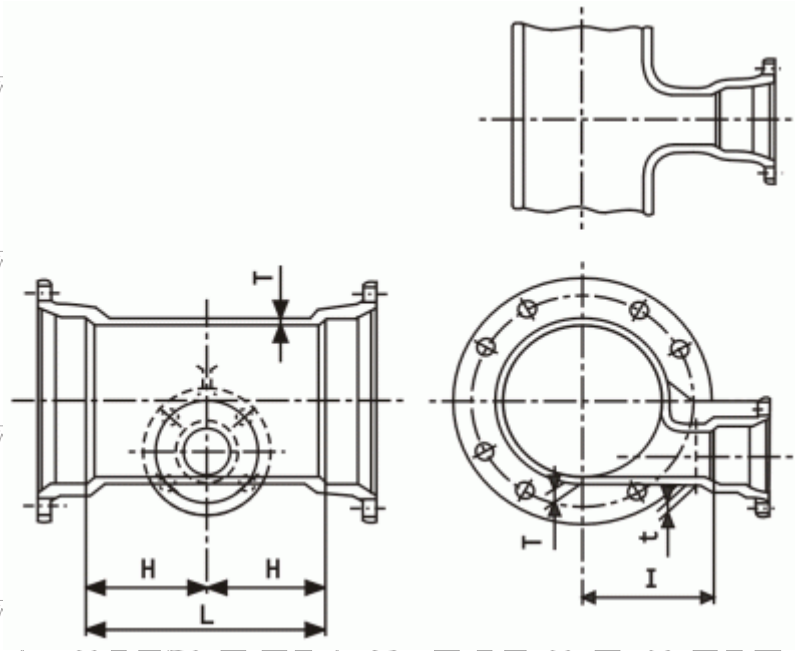




●Type A Blow-Off



Unit: mm

Nominal size		Thickness		Dimensions			Weight (kg)
D	d	T	t	H	I	L	
200	100	11.0	10	170	190	340	48.7
250	100	12.0	10	180	220	360	62.8
300	100	12.5	10	190	240	380	76.1
350	150	13.0	11	250	270	500	114.0